

The Optidew Air-cooled Heatsink is a self-contained unit in which the Optidew Sensor can be mounted onto in order to increase the measurement range of the Optidew Sensor. The Optidew Air-cooled Heatsink can be operated in temperatures from -40°C to +90°C and 98 %rh non-condensing.

Fan:

Axial, 50 m³/h airflow, Finger guard protection fitted. Versions available are 115V or 230V. 2 metre power cable supplied.

Heatsink:

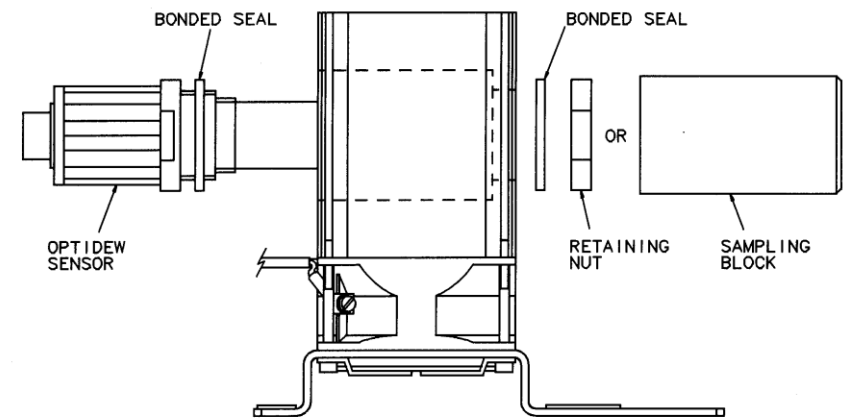
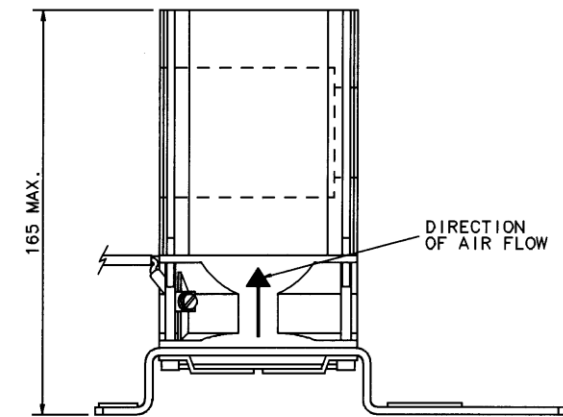
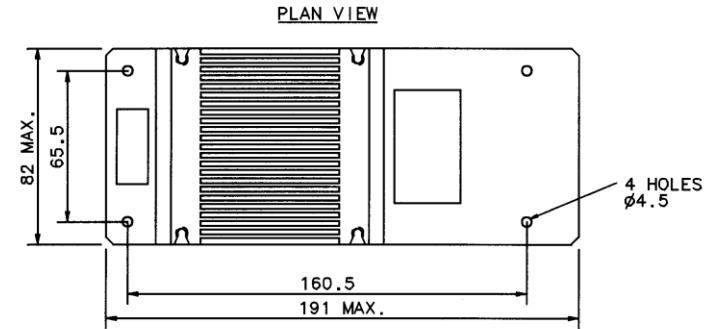
Heatsink 0.15°C/Watt. Black anodised. Machined to accept Optidew Sensor.

Mounting:

The mounting of the Optidew Air-cooled Heatsink can be in any orientation. Fan intake and exit paths should not be impeded.

Specification:

Power supply	Optional 115V 60Hz or 230V 50Hz. 12 Watt Max.
Power cable	3 way inline neoprene connector. 200mm flying lead at fan. 2 metre cable supplied loose.
Fan	Axial, 50 m ³ /h air flow.
Heatsink	Coldfin. 0.15°C/Watt. Black anodised.
Operating temp. range	-40 to +90°C.
Operating environment	98 %rh non-condensing, Indoor use only.
Mounting arrangement	Bench or Wall Mounting.
Overall dimensions	80mm wide x 190mm long x 165mm high.
Weight	1.4Kg (without sensor/sampling block fitted).



VIEW SHOWING METHOD OF ASSEMBLING

CUSTOMER SERVICE CONTACT DETAILS

For advice on this, or any other Michell Instruments product, please feel free to contact us via our Web site: www.michell.com

OPTIDEW AIR-COOLED HEATSINK

Users Guide

Issue 04, May 2008

Manual No.97086



© 2004 Michell Instruments Ltd
www.michell.com